

MANUAL FOR INSTALLATION, USE AND MAINTENANCE

PURE Full automatic PURE Manual



Congratulations!

You have chosen an appliance of the JIDÉ range and we would like to thank you for it. We are convinced that it will bring you warmth and comfort. In order to derive the greatest benefit from your fireplace, we greatly stress the importance of following the instructions and recommendations given in this notice.

JIDÉ
100% Made in Belgium

TABLE OF CONTENTS

INTRODUCTION	3
General.....	3
Technical characteristics and compliance	4
USER NOTICE	7
Starting a fire	7
Combustion	7
The wood – Choice and usage	10
INSTALLATION NOTICE.....	13
Preparation – Arrangements.....	13
Fitting	15
Fitting of the finishing frame (option).....	15
Fitting of the chimney connection	15
Fitting of the connection for the convection air (option)	16
Fitting of the combustion air intake	16
Electrical connection	18
Vermiculite removing	19
Ventilation access.....	19
Manual setting air inlet access	20
Automatic thermostat access	20
MAINTENANCE OF THE FIREPLACE	21
Cleaning – Chimney sweeping.....	21
Maintenance	21
Cleaning the window.....	21
Door.....	22
Cleaning the fan(s)	22
Chimney-sweeping	22
Life cycle.....	23
End of life instructions	23
TROUBLESHOOTING.....	24
DECLARATION OF CONFORMITY JIDÉ	26
DECLARATIONS OF PERFORMANCE	27
TECHNICAL DOCUMENTS	32
WARRANTY	35
Warranty agreement.....	35

INTRODUCTION

General

To obtain optimum operation of your fireplace in complete safety, we recommend having it installed by a specialist who will do the work professionally.

The responsibility of JIDÉ relates to the supply of the appliance. The installation is the responsibility of the owner who must have it done according to the requirements of this notice, and in accordance with the applicable regulations and standards of the different countries governing the installation, insulation and connection of closed wood-burning fireplaces, in new and old constructions, as well as smoke flues. The appliance may not be modified as it could present a real danger and will invalidate the warranty.

A list of our dealers-installers is available on our site www.jide.be/en.

Before using your fireplace for the first time and in order to guarantee its good usage and operation over time, we suggest you carefully read these instructions for use in order to familiarise yourself with its various functions and characteristics.

Before starting your first fire, please ensure that no material required for the installation is in the fireplace.

The paint has not been cured and will consequently harden when used for the first time, causing the release of smoke and odours. We advise you to make a very strong fire and then ventilate the room well.

Each Pure model is available in two versions: with manual or automatic thermostat. The Pure range comprises the following models:

- PURE 58/47
- PURE 67/51
- PURE 70/70
- PURE 77/51
- PURE 16/9

Technical characteristics and compliance

Combining ecology and economy, JIDÉ has created the Pure range which has an external combustion air inlet (sealed appliance).

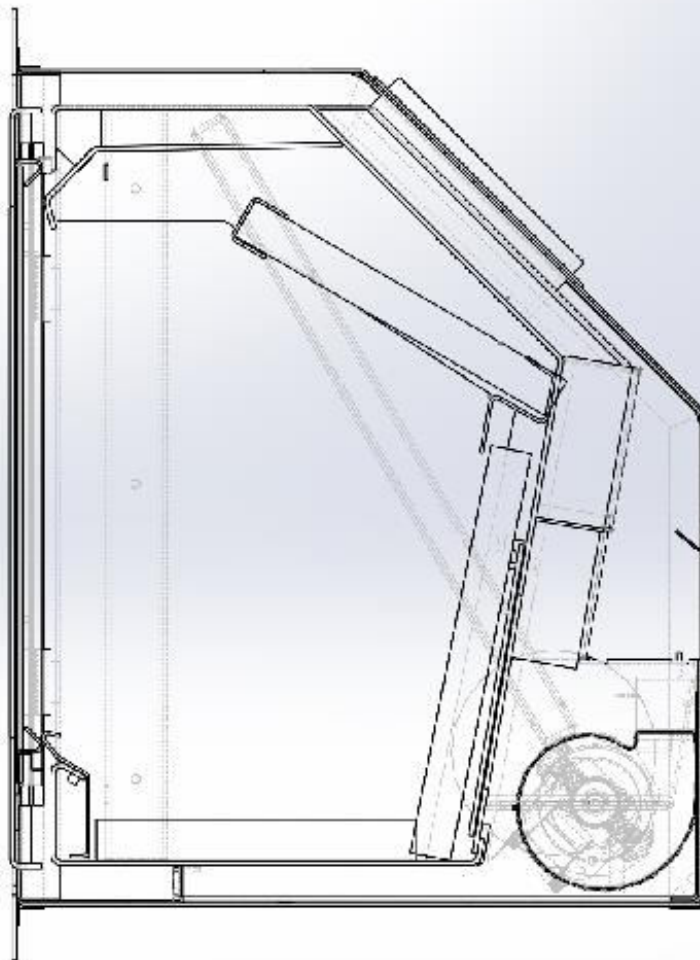
The primary air arrives under the grate and the stainless steel canals to foster fire-lighting in the fireplace.

The preheated secondary air creates post-combustion by reburning the gases, and this greatly improves the efficiency.

The preheated tertiary air has a “turbo” effect, sweeping the glass from top to bottom to keep it clean and creates a sufficient supply to feed the fire without primary air.

Ecological solution: cleaner emissions, less dust and CO

Economic: greatly reduced wood consumption.



JIDÉ subjects its ranges of inserts to **tests** in approved laboratories so that they meet the **requirements** of the European EN standards on safety and efficiency while limiting CO emissions.

Test results according to the standards: EN 13229:2001 - EN 13229/A1:2003 – EN 13229/A2:2004

<p>PURE 58/47 Nominal power: 8 kW Nominal efficiency: 77 % CO emissions: 1250 mg/Nm³ Fuel: wood</p>	<p>PURE 67/51 Nominal power: 8 kW Nominal efficiency: 77 % CO emissions: 1250 mg/Nm³ Fuel: wood</p>
<p>PURE 70/70 Nominal power: 10,4 kW Nominal efficiency: 77 % CO emissions: 1012,5 mg/Nm³ Fuel: wood</p>	<p>PURE 77/51 Nominal power: 8 kW Nominal efficiency: 77 % CO emissions: 1250 mg/Nm³ Fuel: wood</p>
<p>PURE 16/9 Nominal power: 10,4 kW Nominal efficiency: 77 % CO emissions: 1012,5 mg/Nm³ Fuel: wood</p>	

Characteristics of the PURE

You may face two specific cases:

- 1 No possibility or necessity of an external combustion air inlet: Remove the air box front side, which allows to take combustion air in the room. Leave **also** the back air inlet open
 PURE MANUAL



- 2 Plug the external air inlet to the back of the short stainless steel or to the bottom (remove the plate and fill the back inlet). In this case, keep the air box face.

Additional parts – Identification plate

In addition to the fireplace, the packaging contains the following elements:

- A poker;
- A cold handle;
- A glove;
- A speed controller to regulate ventilation (for fireplaces with ventilation);
- A short stainless steel duct 45° right-angled for the smoke link;
- A plate and a fixing screw (to fill the air inlet on the back in case of connection from the bottom);
- A paint spray for eventual retouching. **Attention: before using the fireplace, make sure to get the spray out and to keep it away with a minimum distance of 2 m.**
- On the packaging, instructions for use with identification plate.

All the JIDÉ fireplaces are registered as soon as they leave production, according to the information contained on a plaque that accompanies this notice, stating in particular the power, efficiency and CO emissions of the appliance.

This plaque must be kept and will enable your appliance to be identified in our files (traceability) if necessary. We advise you to paste it on this user and installation notice or on your invoice.

USER NOTICE

Starting a fire

Before lighting, remove ashes especially on the stainless steel canals.

Do not exceed the maximum loading authorized (see page 10).

IMPORTANT actions before starting your fire:

- 1 For the correct use of the appliance, the **door must be opened slightly** for 15 minutes - the time necessary to reach a sufficient temperature in the fireplace.
- 2 When the window is hot, please close the door. Combustion air inlet is regulated by the automatic thermostat to obtain reduced wood consumption with respect to the heat recovered. When the fireplace is hot, fans start automatically. For devices with manual thermostat, you have to reduce the air inlet according to the wished heat.

CAUTION

- For good performance do not remove completely the ashes of the stove.
- When the fire needs a reloading, set the speed controller on minimum. Open slightly the door in order to avoid reverse flow of smokes in the room. After loading, do not forget to position ventilation on the desired position.
- **If you have a device with ventilation, never make it work without ventilation!**
In case of momentary power failure, reduce the load and keep a medium heat.
Devices without ventilation MUST be decompressed in opening the two hot air outlet and fixing 2 ducts of at least 1 meter (on the right and left side of the fireplace).
- The fireplace is designed to a door-closed use, after starting the fire. Reload when only glowing embers remain.
- We advise you to use fire starter cube which facilitate a quicker and cleaner wood combustion.
- **Do not use inflammable liquid products.**

Combustion

Combustion air

Combustion air is settled by an automatic thermostat, which regulate the working speed of your fireplace, after started.



Thanks to the temperature sensor (on the right side of the device), the thermostat automatically settle the coming of air, by opening or closing the air inlet. The thermostat is not influenced by the room temperature. It only settles the one of the fireplace (which will depend on the speed of the fans). It is therefore normal that if the temperature of the fireplace is high, the valve will be closed whatever the control switch and the temperature of the room are.

For fireplaces with manual thermostat, it is up to you to set the air inlet according to the desired heat.

Convection air

Originally, your appliance operates with **ventilation** controlled by a **speed controller** and an **airstat**. Depending on the chosen position, the speed controller determines the forced hot air flow outside your fireplace (maximum power heating is reached with ventilation on the highest level).

The airstat (on the left side of the device) is an accessory which turns on and off ventilation according to temperature sensor. This ventilation turns on once the fireplace has reached a certain temperature. Ventilation must always turn when the fireplace is hot, otherwise the fans will be degraded. Hot air outlet will allow a hot convection air distribution in the room of the fireplace or in another room. If you have this type of installation, it is essential to take advice from your approved installer.

There is an option "**strop air**" which fosters the hot convection air distribution through other holes, by filling the convection air outlet on the top of the fireplace.

Devices without ventilation **MUST** have 2 hot air outlets with a finishing grid (not included). These 2 hot air outlets must be plugged to at least 1 meter flexible diameter 125 mm.

The chimney

The smoke produced by the wood combustion is removed through the chimney flue.

The draft of the chimney reduces the pressure in the fireplace, which removes a part of the smoke and supplies the combustion.

- A good draft will result in a high temperature difference between the inside of the chimney and the outside of the house.
- Too great a draft will not enable a high enough temperature to be reached for good combustion.
- Too small a draft will lead to a risk of reverse flow, fouling of the window and sooting of the chimney.

An approved chimney sweep should be consulted for any questions regarding the good use and maintenance of the chimney.

General recommendations

- For devices with an automatic thermostat, it is not recommended to greatly reduce the operation of the fireplace to such a point that there are no flames, a sign of poor combustion (speed of the fan too low). The unburned gases are converted into soot.
- In the same way, if overloaded your fireplace will not provide any additional comfort and will lead to a reduction of efficiency, a pointless increase in the consumption of wood, a loss of heat and abnormal wear of your fireplace.
- Certain weather conditions (strong wind, fog) may affect the combustion and draft of the chimney and the air intake will have to be adjusted.
- When removing the ash, pay attention to the persistent presence of embers.
- In the event of a chimney fire, the door must be closed.
- NEVER use flammable liquid products (ex: methanol) to light the fire or reactivate the fire!

The wood – Choice and usage

The JIDÉ fireplaces are designed to burn hard wood logs only.

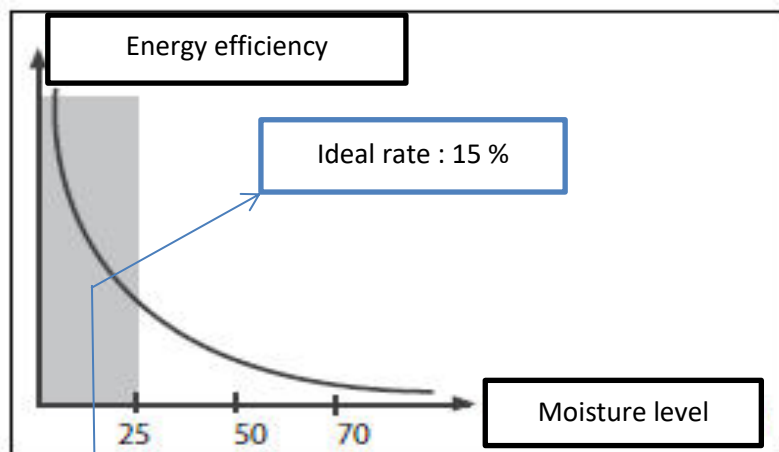
The quality of wood is important.

“Green” wood contains a lot of water (approx. 50 %).

“Dry” wood, kept outside for 24 months covered and well ventilated, still contains 15 % water.

Damp wood is more difficult to consume, presents a lower calorific power and pollutes the environment.

Damp smoke has disadvantages, for example a reduced draft and the formation of tar in the flue and on cold surfaces (the window for example).



Split wood presents better combustion and will improve the operation of your fireplace.

The calorific value of wood depends on its type, and the volume of wood required for the same quantity of heat differs according to this choice. Thus, the “hard” wood varieties such as beech, oak, whose density is high, will require a lower quantity than other low density species:

Density	
Hornbeam	400 – 500 kg per m ³
Oak.....	380 – 480 kg per m ³
Beech	350 – 450 kg per m ³
Birch.....	300 – 400 kg per m ³
Poplar	250 – 350 kg per m ³

Loading of the fireplace with wood:

PURE 58/47.....	2,4 kg (<u>maximum</u>) of dry wood per hour
PURE 67/51.....	2,4 kg (<u>maximum</u>) of dry wood per hour
PURE 70/70.....	2,4kg (<u>maximum</u>) of dry wood per hour
PURE 77/51.....	3,1 kg (<u>maximum</u>) of dry wood per hour
PURE 16/9.....	3,1 kg (<u>maximum</u>) of dry wood per hour

CAUTION

The overloading of wood of your stove may have some consequences and the damage hereafter will obviously not be covered by the warranty:

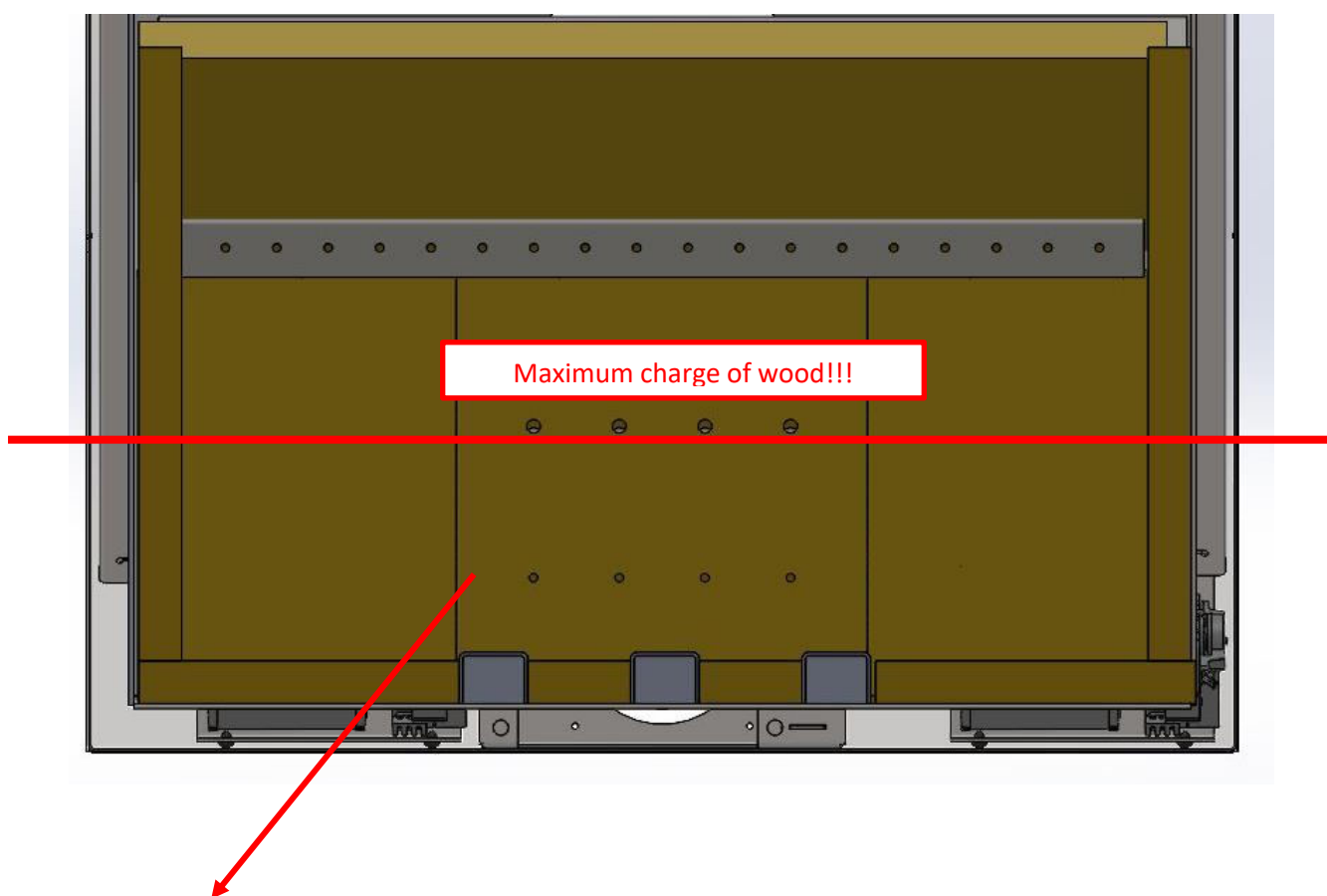
- Deformation of the baffle;
- Bleaching of the glass;
- Degradation of the vermiculite;
- Accentuated noise of the ventilator;
- Deterioration of the automatic thermostat and of the airstat;
- Excessive dilation of the door being able to involve a deformation of this one.

Moreover, we recommend you:

Not to burn resinous or treated wood (e.g. painted wood) or any other material containing toxic products harmful to the environment, or which are aggressive for the components of the fireplace.

To only burn heating wood, your fireplace is not designed to be used as an incinerator.

Not to overcome the calorific value of wood. Pay attention to the calorific value of compressed logs. Half a compressed log at a time.



To avoid **overheating**, the **log can't be higher than the red line**, the hole must be always visible.

By covering the hole, there will be **consequences** such as lose of combustion control, the draught will increase which lead to a decreasing of efficiency, increasing of the energy cost and decreasing of the stove's lifespan.

INSTALLATION NOTICE

Preparation – Arrangements

It is important to check the fireplace upon receipt and to ensure the absence of any damage during transport.

Dimensions of the recess

The recess, i.e. the volume around the fireplace, has to contain the appliance while providing an additional space of at least 5 mm (on the left and right sides, and above the fireplace) in order to accommodate expansion. There must be no masonry against the fireplace.

Ventilation around the fireplace

It is advised to ventilate the recess with an air inlet in the base and air outlet at the top in order to reduce the temperature of the walls and to recover it in your home.

Insulation of the fireplace

The materials used must be non-inflammable. The temperature of smoke to the chimney being able to reach 300° to 400°, this one could cause a combustion of not isolated combustible materials. Provide high-temperature insulation around the fireplace to protect certain materials. In this case we advise protecting the back, sides and top of the appliance. If no insulation has been provided, it is recommended keeping a distance of 35 cm from inflammable materials and 15 cm from non-inflammable materials and to ventilate the recess.

Your installer can advise you regarding the protection to be provided. Still with regard to protection, your installer can also provide a floor plate in front of the insert in order to guard against the ejection of embers.

Fireplace base

We recommend placing the appliance on a **solid flat surface made of non-combustible material**, with sufficient strength to support the weight of the fireplace and the chimney flue.

Radiation from the fireplace

The fireplace emits heat by radiation through the window and by air convection. It is thus essential to provide non-inflammable materials in the distribution zone.



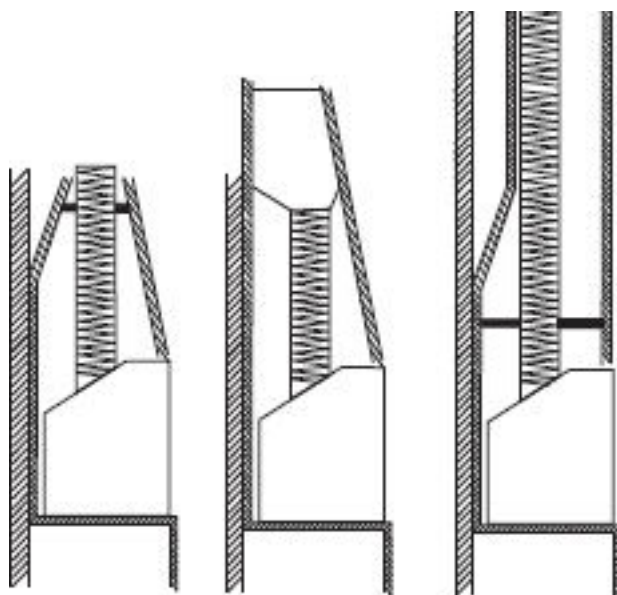
Sealed connection

To ensure a sealed connection, appropriate to the desired installation and the good operation of your fireplace, please consult your installer who will give you with the necessary information.

The section of the flue must be similar if possible to the one of the stove. If the section of the flue is much more important than the one of the stove, it is advised to tube the chimney on all its height and to insure the sealing of connection. It is necessary to be vigilant on the state of the existing flue and more still on connection of the flexible device to the existing flue. A bad connection can be the cause of disasters. Do use only pipes stainless appropriate to this use.

It is mandatory to put from the device at least 1 m hard or flexible pipe, in steel or in stainless steel, to connect the smoke exit.

The chimney must have a normal pulling i.e. that with its power maximum, the depression will have to range between 12 and 20 Pa.



Fitting

Fitting of the finishing frame (option)

The fireplace must be aligned with respects to the plane of the masonry to enable the correct attachment of the frame.

A three and a four-sided frame are available as options.
The finishing frame clips onto the appliance with spring supports.

Right fitting



Wrong fitting



Fitting of the chimney connection

Ensure the good seal of the connection. Your appliance is supplied with a short stainless-steel duct 45° right-angled for the chimney connection. It fits onto the appliance.
When the duct is placed on the appliance, fold back the 2 safety clamps.



Fitting of the connection for the convection air (option)

Your appliance has 2 hot air openings for the convection

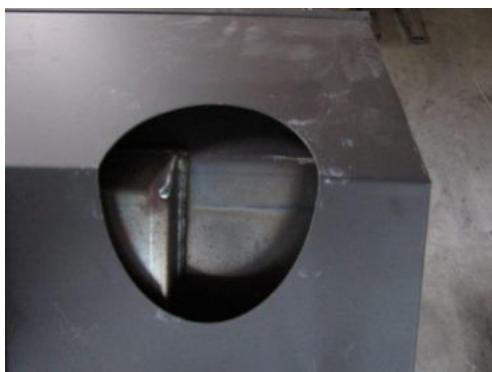
1 Remove the disk



2 Fix the duct with three self-boring screws



Devices without ventilation **MUST** have 2 hot air outlets with a finishing grid (not included). These 2 hot air outlets must be plugged to at least 1 meter flexible diameter 125 mm.



Fitting of the combustion air intake

You may face two specific cases:

- 1 No possibility or necessity of an external combustion air inlet:
Remove the air box front side, which allows to take combustion air in the room and leave **also** the back air inlet open.

PURE



PURE 77 XL



- 2 Plug the external air inlet to the back of the short stainless steel or to the bottom (remove the plate and fill the back inlet). In this case, keep the air box face.



Electrical connection

Ventilation connection (optional)

Caution: make sure to switch off the power supply before working on the electrical circuit

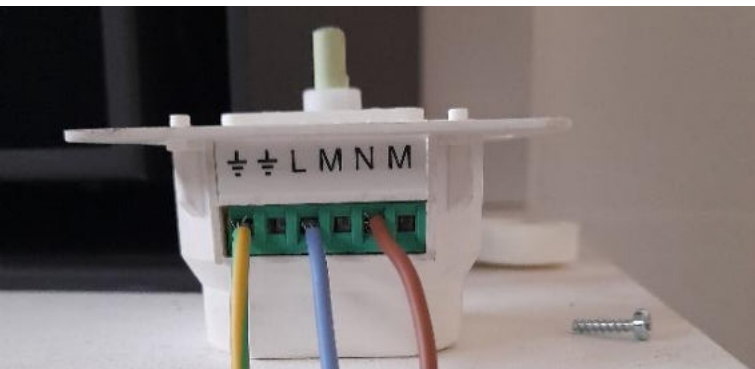
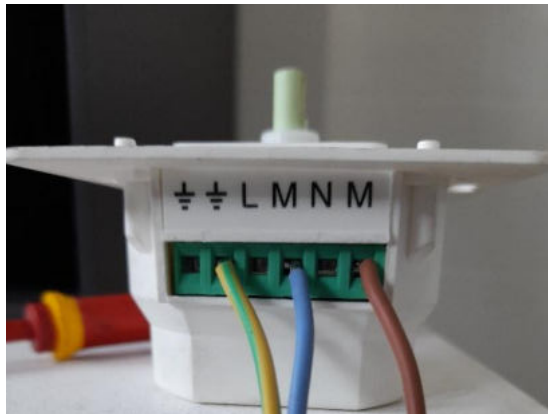


- ⏚ : Grounding
- ⏚ : Grounding
- L : Line
- M : Motor
- N : Neutral
- M : Motor

Connecting the drive to the fan:

Connect the fan wires to the "Motor" terminals.

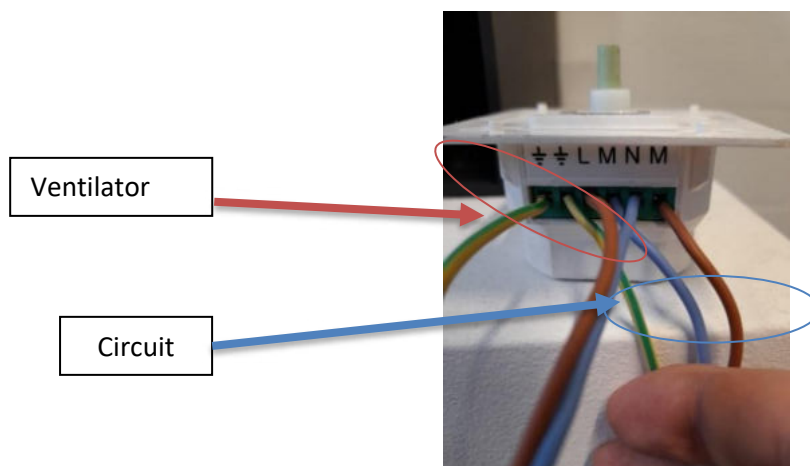
Connect the grounding wire (yellow and green) to the grounding terminal.



Connecting the drive to the mains:

Connect the wires from the socket to the "Line" and "Neutral" terminals.

If present, connect the grounding wire (yellow and green) to the grounding terminal.



JIDÉ
100% Made in Belgium

Vermiculite removing

Before removing, make sure power supply is cut.



- 1 Remove the stop embers
- 2 Remove the right side of vermiculite and the vermiculite baffle
- 3 Remove the bottom vermiculite
- 4 Remove the back vermiculite

Ventilation access

Integrated ventilation and airstat access for Pure 67/51 77/51 77XL 58/47 70/70 16/9

Unscrew and remove
right and left plates



Remove the fans



You have now the possibility to clean the fan. **Proceed with caution.** Dust turbine blades carefully with the help of a brush. Reinstall everything.

Attention, if you fold a turbine blade, you will risk an unbalance which will lead to an abnormal noise from the fan.

Manual setting air inlet access

PURE MANUAL



PURE 77 XL



Automatic thermostat access

Automatic thermostat access for Pure 67/51 77/51 58/47 70/70 16/9 Full automatic

Unscrew and remove
middle and right plates

Remove the 2 M6 nuts and the bulb
in the right duct



CAUTION: We could not be held responsible for an improper installation. These must be very neat and made according to standards. Complementary products used for the installation must be conform to local regulations.

MAINTENANCE OF THE FIREPLACE

Cleaning – Chimney sweeping

Maintenance

Before working on the fireplace, ensure that it is cold.

Clean (with an ash vacuum cleaner) the particles and residues which remain in the fireplace and on the stainless-steel canals.

The metal parts can be wiped with a dry cloth.

The inside panels for protection (cast iron or vermiculite) can be split without preventing a normal functioning of the stove. Look after that it does not miss a piece. In this case replace the damaged parts.

Your dealer can give you an aerosol for touching up the paintwork if required.

Use original spare parts for any repairs.

Cleaning the window

We recommend one of the following two methods for cleaning the window of your fireplace:

1. If dry, use absorbent paper and / or 000 steel wool:

With good burning (dry wood and good fire management), the absorbent paper makes it possible to remove most dirt from the glass. Remove the remaining dirt by using steel wool "000". (Thicker steel wool can damage the glass (scratches)). Avoid rubbing the edge of the screen print (black part printed on the glass) with steel wool, this can permanently damage the screen print. You can use this method on cold glass or on warm glass (with a glove).

2. With a damp cloth and wood ash:

The window can be easily cleaned with a cloth or slightly damp absorbent paper that has been previously soaked in the cold (white) ash of your fireplace. Rub the dirty parts and wipe them with a clean damp cloth.

We **prohibit** the use of a liquid cleaning product. The dripping of this product on the lower black screen of the glass can leave traces, which unfortunately will be final, they can also damage the paint of the device. If you have to use a liquid detergent due to too much contamination, two precautions are essential:

- Use a product without corrosive soda.
- Spray the product on a cloth and not on the glass to prevent spillage.

!!! If you do not follow these precautions, the glass may break !!!

Indeed, a liquid product can carry the dust with it to the compensation seal that is located between the glass and the structure of the door. This dust penetrates the seal and loses its elasticity and forms a hardened crust, which causes stress on the glass and leads to cracks.

Door

Check the joint of the door.

Use the annual maintenance to check the seal of your fireplace by wedging a strip of paper on the joint before closing the door. If the strip does not stay wedged, the joint must be replaced or the eccentric for door must be adjusted. This setting will bring the door closer to the heating body. Unscrew the nut with a spanner (8), rotate the eccentric to the back of the appliance and screw back the nut.



Pay attention, if you replace the seal after having done this setting do not forget to adjust the eccentric to the front of the device. Your dealer will be able to do this.



Eccentric for door

Twice a year, clean the hinge of the door, coat with a releasing oil in order to prevent moisture penetrating and from blocking the axis of this one.

Cleaning the fan(s)

It is necessary to supervise the state of cleanliness of the ventilators.

The accumulation of dust causes an unbalance of the turbine, which makes force the engine which can burn or make noise.

Before any work, please disconnect the electricity supply.

The fan can be dusted if it is fouled. Do not apply pressure to the fan blades, at the risk of bending them and thus creating an imbalance that will lead to noise and vibrations.

These operations can be repeated during the year depending on the fouling.

Grease the axis.

Chimney-sweeping

With a concern for safety and observance of the applicable legislation, you must have the chimney swept **at least once a year**, in order to limit the tar deposits in the chimney.

It is an opportunity to check the condition of the flue and connection of the chimney. It is recommended first carefully removing the baffle then repositioning it in its initial position.

Vacuum three or four times per year the residues above the baffle.

Life cycle

In order to increase the life span of your fireplace insert, it is important to follow the operating and maintenance instructions.

However, your appliance is made up of various components that can wear out and/or deteriorate over time. Your appliance is designed to be easy to replace. Your installer is able to identify and replace any parts that are no longer functional.

End of life instructions

After dismantling the appliance, it should be taken to an authorised collection point.

The appliance is made of steel and can be fully processed in the steel recycling system.

The door glass is made of boro-silicate glass and must be treated separately from food glass.

The control units will be recycled at an electronics processing centre.

TROUBLESHOOTING

Observation	Possible causes	Remedies
<i>Lighting-up difficulties</i>	<ul style="list-style-type: none"> - Damp fuel - Logs too large - Cold flue - Insufficient draft 	<ul style="list-style-type: none"> - Use small dry wood to form a bed of embers - Use smaller logs - Preheat the flue gas duct with a lighter cube, for example. - Check the operating conditions of the flue and the air intake level in the home - Draft test with a depressionmeter
<i>Return of smoke</i>	<ul style="list-style-type: none"> - Insufficient draft - Effect of wind - Poorly insulated flue - Flue too short - Flue not sealed - Flue cross-section too small - Flue partly obstructed by a foreign body of tar - Presence of a too powerful V.M.C or cooker extraction hood - During the opening of the door 	<ul style="list-style-type: none"> - Consult the installer - Draft test with a depression meter - Inspect the flue and sweep if necessary - Review the air intake level of the home (check the opening of a door or window) - Place the house und a slight overpressure - Open the air inlet before opening the door - Always open the door slowly in order to avoid smoke being sucked outside the fireplace
<i>Little heating, the fire does not take well during normal operation</i>	<ul style="list-style-type: none"> - Insufficient draft - Wood too damp - Too large wood in diameter 	<ul style="list-style-type: none"> - See above - Use wood which shows a water content ranging of 15 % - Make sure of a sufficiently sharp combustion before charging the stove with wood with a large diameter - Increase the level of primary air combustion
<i>Chimney fire</i>	<ul style="list-style-type: none"> - Insufficient draft - Wood too damp - Negligence with the sweeping 	<ul style="list-style-type: none"> - See above - Respect the normal frequency of the sweeping

Poor heating with a strong fire	<ul style="list-style-type: none"> - Appliance not sealed - Excessive draft 	<ul style="list-style-type: none"> - Check the integrity of the appliance (joints) and connection - Reduce the draft conditions of the flue and in particular add a draft regulator to obtain between 12 and 20 Pa
Too much heating, combustion too fast	<ul style="list-style-type: none"> - Appliance overloaded with fuel - Small diameter fuel - Too important opening of the air for combustion 	<ul style="list-style-type: none"> - Load the appliance reasonably, wood page 11 - Increase the diameter of the logs - Clear the ash from the appliance less often - Decrease the air flow of combustion
Backflow of smoke through the door	<ul style="list-style-type: none"> - Insufficient draft conditions at nominal operation of the appliance 	<ul style="list-style-type: none"> - Slightly open the air inlet in order to respect the minimum value of the operating air flow - Take care with the use of a cooker hood or VMC - Check the position of the baffle - Check the position and seal of the door joints
The window fouls very quickly	<ul style="list-style-type: none"> - Damp wood - Slightly insufficient draft - Operating with the primary air not sealed - Burn rate reduced for too long 	<ul style="list-style-type: none"> - Use wood with a moisture level of 15 % - Increase the level of the air inlet in the appliance - Increase the cross-section for the passage of smoke by slightly opening the air inlet - Check the position of the baffle - Close the primary air (lever in central position) - Avoid reduced burn rates
The window cracks	<ul style="list-style-type: none"> - Shock or blow, never "slam" the door of the insert - The seal (between glass and door) hardens by the use of liquid products when cleaning the window 	<ul style="list-style-type: none"> - Replace the window
Formation of bistre (tar) in the flue and appliance	<ul style="list-style-type: none"> - Damp wood - Flue too long - Flue poorly insulated - Lack of air intake in the home 	<ul style="list-style-type: none"> - Use wood with a moisture level pf 15 % - If possible reduce the path for the smoke, line the flue - Add heat insulation to the flue (ceramic wool ...) - Check the air inlet level in the home (opening of a door or window) - Check the use of a cooker hood or VMC
The paint flakes	<ul style="list-style-type: none"> - Overheating 	<ul style="list-style-type: none"> - Sanding and repainting - Respect the maximum loading of wood per hour

DECLARATION OF CONFORMITY JIDÉ

DECLARATION DE CONFORMITE DE L'UE

La société
JIDE
Rue des Meuneries 11
4650 Herve
Belgique



déclare en assumant la pleine responsabilité que le foyer,
PURE (PURE 58/47, PURE 16-9, PURE 70/70, PURE 77/51, PURE 67/51)

qui fait l'objet de la présente déclaration est conforme
aux directives et normes harmonisées suivantes :

Règlement (UE) 2016/426 (EU) 2015/1186, (EU) 2015/1187
Directives : 2009/125/EC, 2014/35/EU
Normes européennes EN 13229:2001

La société citée ci-dessus tient à disposition les documents prouvant
la conformité aux directives

JIDE

Herve le 08-02-19

Jean-Philippe Cousanard

Administrateur délégué

DECLARATIONS OF PERFORMANCE

Declaration of performance
According to European Regulation 2011/305

DOP N° : PURE 58

Product

PURE 58

Serial number : see identification plate supplied with device

Intended use heating with solid fuel

Fuel : wood logs with moisture content < 25%

Manufacturer

Jide SA

info@jide.be

Rue des Meuneries, 11

www.jide.be

B-4650 HERVE

Tél. : 087 31 75 12

Belgique

Système of AVCP

ARGB - NB2013 has delivered the report 2015-0091 According to the European Regulation 2018-1185, base on the standard, EN 13229:2001

Declared performance

Declared performance		Declared Emission	
Puissance nominale	8 kW	Particules	39 mg/Nm ³
Rendement	77,0 %	COG	117 mg/Nm ³
Rendement saisonnier	66,3 %	CO	1250 mg/Nm ³
IEE	101	Nox	34 mg/Nm ³

Auxiliary electricity consumption

At nominal heat output	0,026 kW
at minimum heat output	0,019 kW
in standby mode	0,001 kW

Fire safety

Rear : 150 mm	Protected by heat insulator : No
Side : 150 mm	Protected by heat insulator : No
Top : 150 mm	Protected by heat insulator : No

The performance of the product identified above is in conformity with the set of declared performances. This declaration of performance is issued, in accordance with Regulation (EU) n° 305/2011, under the sole responsibility of the manufacturer identified.

In Herve, Thursday 24 November 2022

Jean-philippe Couasnard

Delegated Administrator



JIDÉ

Declaration of performance
According to European Regulation 2011/305

DOP N° : PURE 16-9-V3

Product

PURE 16-9

Serial number : see identification plate supplied with device

Intended use heating with solid fuel

Fuel : wood logs with moisture content < 25%

Manufacturer

Jide SA

info@jide.be

Rue des Meuneries, 11

www.jide.be

B-4650 HERVE

Tél. : 087 31 75 12

Belgique

Système of AVCP

ARGB - NB2013 has delivered the report 2018-0087 According to the European Regulation 2018-1185, base on the standard, EN 13229:2001

Declared performance

Declared performance		Declared Emission	
Puissance nominale	12 kW	Particules	22 mg/Nm ³
Rendement	77,0 %	COG	59 mg/Nm ³
Rendement saisonier	66,1 %	CO	900 mg/Nm ³
IEE	101	Nox	57 mg/Nm ³

Auxiliary electricity consumption

At nominal heat output	0,052 kW
at minimum heat output	0,037 kW
in standby mode	0,001 kW

Fire safety

Rear : 150 mm	Protected by heat insulator : No
Side : 150 mm	Protected by heat insulator : No
Top : 150 mm	Protected by heat insulator : No

The performance of the product identified above is in conformity with the set of declared performances. This declaration of performance is issued, in accordance with Regulation (EU) n° 305/2011, under the sole responsibility of the manufacturer identified.

In Herve, Thursday 24 November 2022

Jean-philippe Couasnard

Delegated Administrator



JIDÉ

**Declaration of performance
According to European Regulation 2011/305**

DOP N° : PURE 70-V3

Product

PURE 70

Serial number : see identification plate supplied with device

Intended use heating with solid fuel

Fuel : wood logs with moisture content < 25%

Manufacturer

Jide SA

info@jide.be

Rue des Meuneries, 11

www.jide.be

B-4650 HERVE

Tél. : 087 31 75 12

Belgique

Système of AVCP

SGS - NB0608 has delivered the report EZKA/2022-05-00028-1 According to the European Regulation 2018-1185, base on the standard, EN 13229:2001

Declared performance

Declared performance		Declared Emission	
Puissance nominale	10 kW	Particules	15 mg/Nm ³
Rendement	78,0 %	COG	96 mg/Nm ³
Rendement saisonnier	67,0 %	CO	1125 mg/Nm ³
IEE	102	Nox	90 mg/Nm ³

Auxiliary electricity consumption

At nominal heat output	0,052 kW
at minimum heat output	0,037 kW
in standby mode	0,001 kW

Fire safety

Rear : 150 mm	Protected by heat insulator : No
Side : 150 mm	Protected by heat insulator : No
Top : 150 mm	Protected by heat insulator : No

The performance of the product identified above is in conformity with the set of declared performances. This declaration of performance is issued, in accordance with Regulation (EU) n° 305/2011, under the sole responsibility of the manufacturer identified.

In Herve, Thursday 24 November 2022

Jean-philippe Couasnard

Delegated Administrator



JIDÉ

Declaration of performance
According to European Regulation 2011/305

DOP N° : PURE 77-V3

Product

PURE 77

Serial number : see identification plate supplied with device

Intended use heating with solid fuel

Fuel : wood logs with moisture content < 25%

Manufacturer

Jide SA

info@jide.be

Rue des Meuneries, 11

www.jide.be

B-4650 HERVE

Tél. : 087 31 75 12

Belgique

Système of AVCP

SGS - NB0608 has delivered the report EZKA/2022-05-00028-1 According to the European Regulation 2018-1185, base on the standard, EN 13229:2001

Declared performance

Declared performance		Declared Emission	
Puissance nominale	10 kW	Particules	15 mg/Nm ³
Rendement	78,0 %	COG	96 mg/Nm ³
Rendement saisonnier	67,0 %	CO	1125 mg/Nm ³
IEE	102	Nox	90 mg/Nm ³

Auxiliary electricity consumption

At nominal heat output	0,052 kW
at minimum heat output	0,037 kW
in standby mode	0,001 kW

Fire safety

Rear : 150 mm	Protected by heat insulator : No
Side : 150 mm	Protected by heat insulator : No
Top : 150 mm	Protected by heat insulator : No

The performance of the product identified above is in conformity with the set of declared performances. This declaration of performance is issued, in accordance with Regulation (EU) n° 305/2011, under the sole responsibility of the manufacturer identified.

In Herve, Thursday 24 November 2022

Jean-philippe Couasnard

Delegated Administrator



JIDÉ

**Declaration of performance
According to European Regulation 2011/305**

DOP N° : PURE 67-V3

Product

PURE 67

Serial number : see identification plate supplied with device

Intended use heating with solid fuel

Fuel : wood logs with moisture content < 25%

Manufacturer

Jide SA

info@jide.be

Rue des Meuneries, 11

www.jide.be

B-4650 HERVE

Tél. : 087 31 75 12

Belgique

Système of AVCP

SGS - NB0608 has delivered the report EZKA/2022-05-00028-1 According to the European Regulation 2018-1185, base on the standard, EN 13229:2001

Declared performance

Declared performance		Declared Emission	
Puissance nominal	10 kW	Particules	15 mg/Nm ³
Rendement	78,0 %	COG	96 mg/Nm ³
Rendement saisonier	67,0 %	CO	1125 mg/Nm ³
IEE	102	Nox	90 mg/Nm ³

Auxiliary electricity consumption

At nominal heat output	0,052 kW
at minimum heat output	0,037 kW
in standby mode	0,001 kW

Fire safety

Rear : 150 mm	Protected by heat insulator : No
Side : 150 mm	Protected by heat insulator : No
Top : 150 mm	Protected by heat insulator : No

The performance of the product identified above is in conformity with the set of declared performances. This declaration of performance is issued, in accordance with Regulation (EU) n° 305/2011, under the sole responsibility of the manufacturer identified.

In Herve, Thursday 24 November 2022

Jean-philippe Couasnard

Delegated Administrator



JIDÉ

TECHNICAL DOCUMENTS

PARAMÈTRE TECHNIQUE POUR LES DISPOSITIFS DÉCENTRALISÉ À COMBUSTIBLE SOLIDE (RUE 118/2015)

Référence du modèle : PURE 58	
Fonction de chauffage indirect	Non
Puissance thermique directe	8 kW
Puissance thermique indirecte	0 kW
Combustible de référence	Bûches de bois ayant un taux d'humidité ≤ 25%
Combustible non admis	Bois comprimé ayant un taux d'humidité < 12%; Autre biomasse ligneuse; Biomasse non ligneuse; Anthracite et charbon maigre; coke de houille; Semi-coke; Charbon bitumeux; Briquettes de lignite; Briquettes de tourbe; Briquettes constituées d'un mélange de combustibles fossiles; Autre combustible fossile; Briquettes constituées d'un mélange de biomasse et de combustible fossile; Autre mélange de biomasse et de combustible solide
Émission de poussière	39 mg/Nm ³ (13%O ₂)
Émissions de gaz imbrulé	117 mg/Nm ³ (13%O ₂)
Émission de monoxyde de carbone	1250 mg/Nm ³ (13%O ₂)
Émission d'oxyde d'azote	34 mg/Nm ³ (13%O ₂)

Caractéristique	Symbole	Valeur	Unité	Caractéristique	Symbole	Valeur	Unité
Puissance thermique				Rendement utile (PCI)			
Puissance thermique nominale	P _{nom}	8	kW	Rendement utile à la puissance thermique nominale	η _{th, nom}	77,0	%
Puissance thermique minimale	P _{min}	NPD	kW	Rendement utile à la puissance thermique minimale	η _{th, min}	NPD	%
Consommation d'électricité auxiliaire				Type de contrôle de la puissance thermique/ de la température de la pièce			
À la puissance thermique nominale	e _{l, max}	0,026	kW	Contrôle électronique de la température de la pièce et programmeur journalier			Non
À la puissance thermique nominale	e _{l, min}	0,019	kW				
En mode veille	e _{l, vb}	0,001	kW				
Puissance électrique requise par la veilleurs permanente				Autres options de contrôle			
Puissance électrique requise par la veilleuse	P _{pilot}	0	kW	Contrôle de la température de la pièce, avec détecteur de présence			Non
				Contrôle de la température de la pièce, avec détecteur de fenêtre ouverte			Non
				Contrôle à distance			Non

Coordonnées de contact

Jidé SA 087 31 75 12
Rue des Meuneries, 11 info@jide.be
4650 HERVE www.jide.be
Belgique

Jean-Philippe Couasnard
Administrateur Délégué



JIDÉ

PARAMÈTRE TECHNIQUE POUR LES DISPOSITIFS DÉCENTRALISÉ À COMBUSTIBLE SOLIDE (RUE 118/2015)

ERéférence du modèle : PURE 2 (PURE 67/51, PURE 70/70, PURE 77/51)

<i>Fonction de chauffage indirect</i>	Non
<i>Puissance thermique directe</i>	10 kW
<i>Puissance thermique indirecte</i>	0 kW
<i>Combustible de référence</i>	Bûches de bois ayant un taux d'humidité ≤ 25%
<i>Combustible non admis</i>	Bois comprimé ayant un taux d'humidité < 12%; Autre biomasse ligneuse; Biomasse non ligneuse; Anthracite et charbon maigre; coke de houille; Semi-coke; Charbon bitumeux; Briquettes de lignite; Briquettes de tourbe; Briquettes constituées d'un mélange de combustibles fossiles; Autre combustible fossile; Briquettes constituées d'un mélange de biomasse et de combustible fossile; Autre mélange de biomasse et de combustible solide
<i>Émission de poussière</i>	15 mg/Nm ³ (13%O ₂)
<i>Émissions de gaz imbrûlé</i>	96 mg/Nm ³ (13%O ₂)
<i>Émission de monoxyde de carbone</i>	1125 mg/Nm ³ (13%O ₂)
<i>Émission d'oxyde d'azote</i>	90 mg/Nm ³ (13%O ₂)

Caractéristique	Symbole	Valeur	Unité	Caractéristique	Symbole	Valeur	Unité
Puissance thermique				Rendement utile (PCI)			
Puissance thermique nominale	P_{nom}	10	kW	Rendement utile à la puissance thermique nominale	$\eta_{th, nom}$	78,0	%
<i>Puissance thermique minimal</i>	P_{min}	NPD	kW	Rendement utile à la puissance thermique minimal	$\eta_{th, min}$	NPD	%
Consommation d'électricité auxiliaire				Type de contrôle de la puissance thermique/ de la température de la pièce			
<i>À la puissance thermique nominale</i>	$e_{l, max}$	0,052	kW	Contrôle électronique de la température de la pièce et programmeur journalier			Non
<i>À la puissance thermique nominale</i>	$e_{l, min}$	0,037	kW				
<i>En mode veille</i>	$e_{l, ab}$	0,001	kW				
Puissance électrique requise par la veilleurs permanente				Autres options de contrôle			
Puissance électrique requise par la veilleuse	P_{pilot}	0	kW	Contrôle de la température de la pièce, avec détecteur de présence			Non
				Contrôle de la température de la pièce, avec détecteur de fenêtre ouverte			Non
				Contrôle à distance			Non

Coordonnées de contact

Jidé SA 087 31 75 12
 Rue des Meuneries, 11 info@jide.be
 4650 HERVE www.jide.be
 Belgique

Jean-Philippe Couasnard
 Administrateur Délégué



JIDÉ

WARRANTY

Warranty agreement

The warranty given hereinafter is only valid if the appliance is installed professionally and used according to the recommendations stipulated in this user and installation notice.

The duration of the warranty is seven years, starting from the date of delivery by the installer or dealer, for the following parts: the combustion chamber body of the appliance and the external trim.

The warranty is limited to two years for the following parts: the fans, the airstat and the speed controller.

The defective material will be exchanged after its return.

The following are excluded from the warranty:

- Internal wear parts in contact with the flames and embers;
- The vermiculite panels;
- The joints of the door and ash box;
- The window, liable to undergo shocks or rough handling;
- Normal wear and tear and lack of maintenance;
- Damage resulting from an installation defect and abnormal draft of the chimney (maximum 20 Pa);
- Damage due to non-compliant repairs or modification of the original condition of the fireplace or its accessories;
- Losses or malfunctions due to a lack of monitoring, improper use of the appliance (overheating) or poor usage, in particular:
 - Mismatch between the nominal power of the fireplace and the necessary calorific supply;
 - Poor choice of fuels;
 - Overload of the fireplace with wood with respect to the permitted limits;
 - Intentional and permanent interruption of the ventilation;

By agreement, the costs of travel, transport, labour, packaging and the consequences of the immobilisation of the appliance resulting from warranty operations are to the charge the customer.

The warranty is only provided through the dealer-agent on presentation of the purchase invoice.



JIDÉ S.A. reserves the right to modify its products and brochures at any time at its sole discretion.

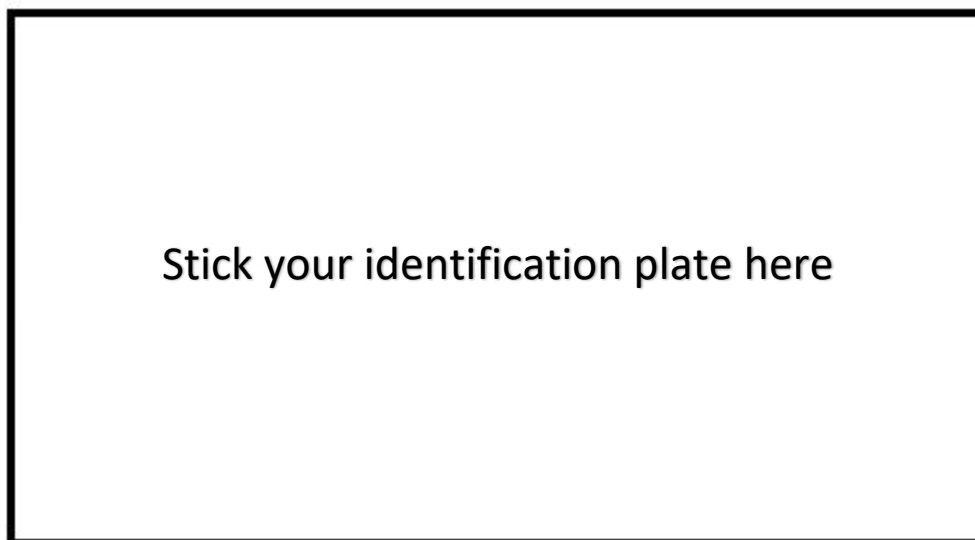
JIDÉ Model: PURE

Purchaser: Surname Forename.....

Address

Postcode City

Seller's stamp





JIDÉ, innovation and efficiency, that's us

Heat and savings are for you

